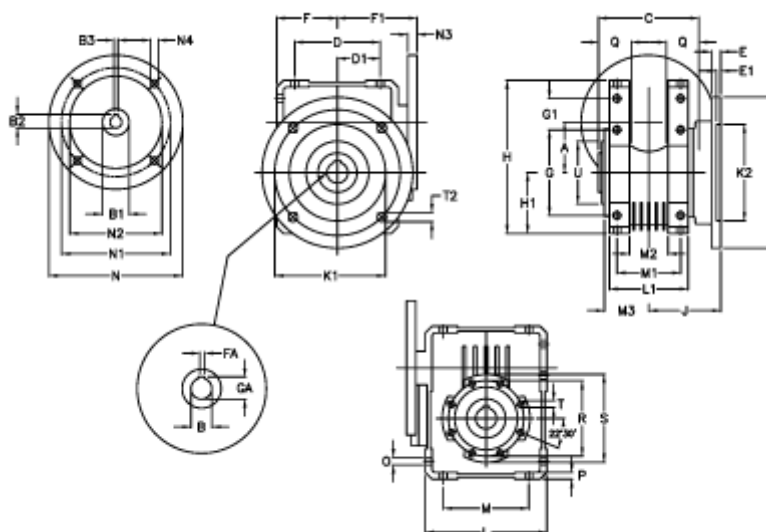


Article number: 392208601053616

Description: Worm Gear with Torque Limiter
W86 L1-UFC-10-P90 B14

Measures



A = 86.90	E = 15	H = 245.5	M = 144	N4 = 8,5	U = 110
B = 35	E1 = 6	H1 = 100.0	M1 = 101	O = 11.5	
B1 E7 = 24	F = 100	J = 110.5	M2 = 57	P = 11	
B2 = 27.3	F1 = 128	K = 210	M3 = 64.5	Q = 45	
B3 H9 = 8	FA = 10	K1 = 176	N = 140	R = 130	
C = 140	G = 144	K2 = 152	N1 = 115	S = 150	
D = 144.0	G1 = 45.5	L = 200	N2 = 95	T = M10x18	
D1 = 72.0	GA = 38.3	L1 = 125	N3 = 7.5	T2 = 12.5	